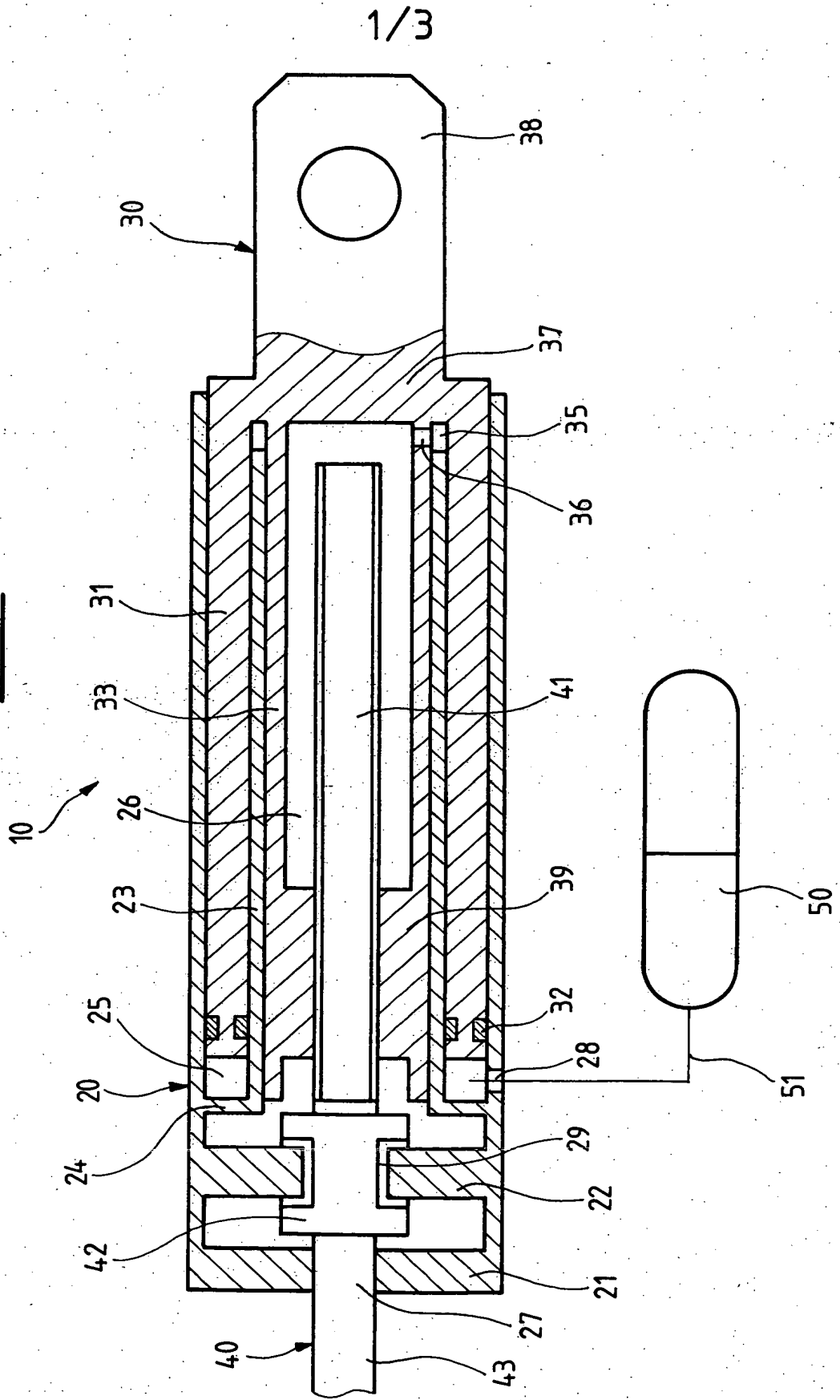
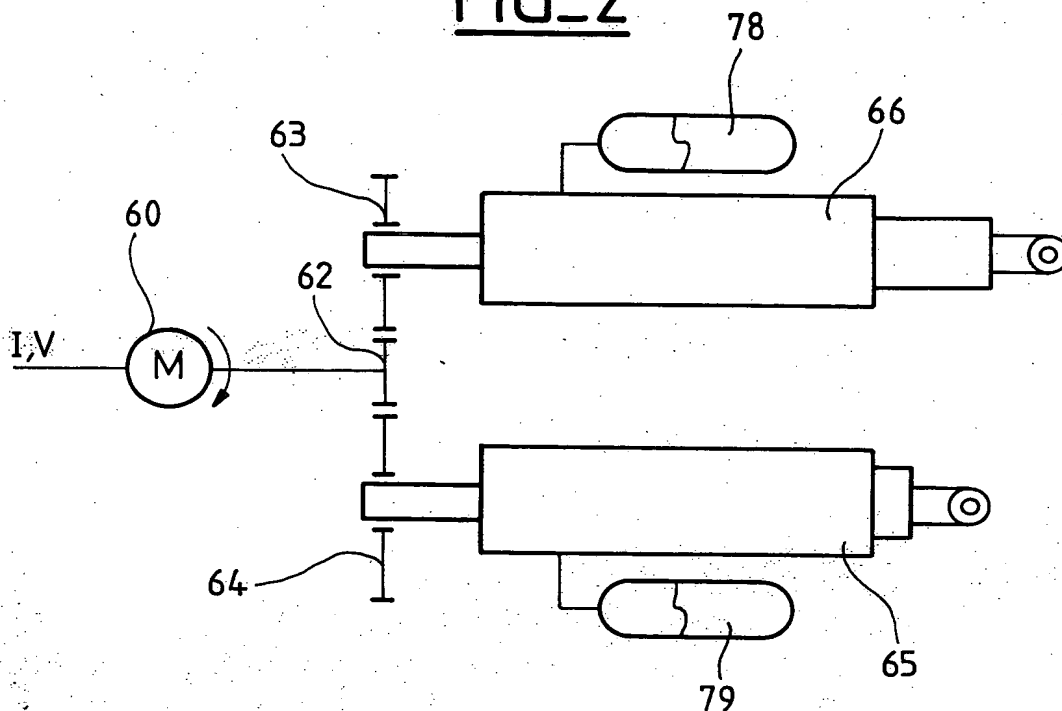


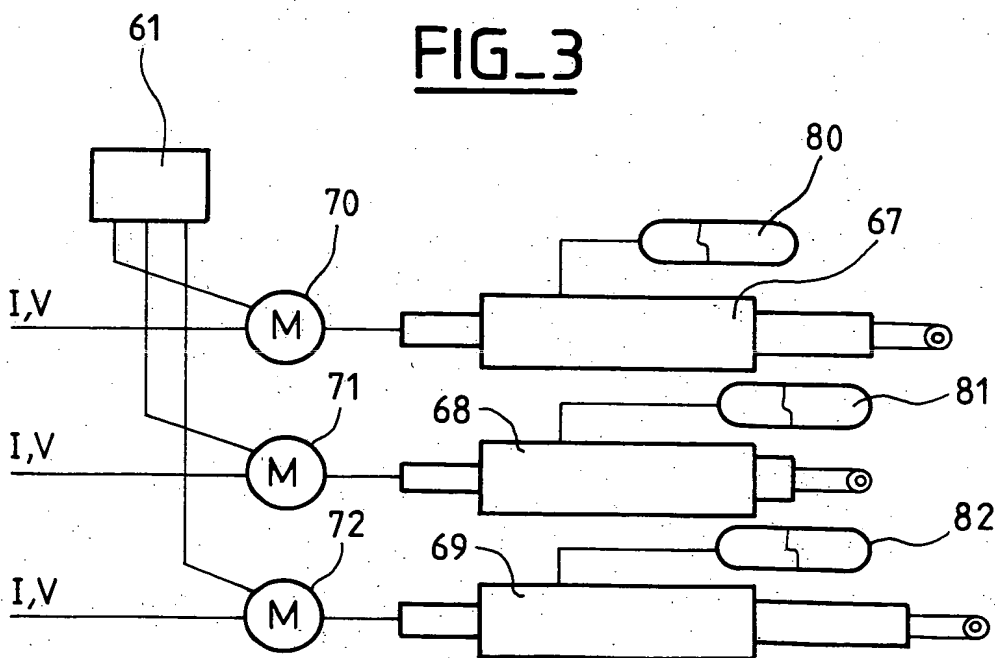
FIG-1



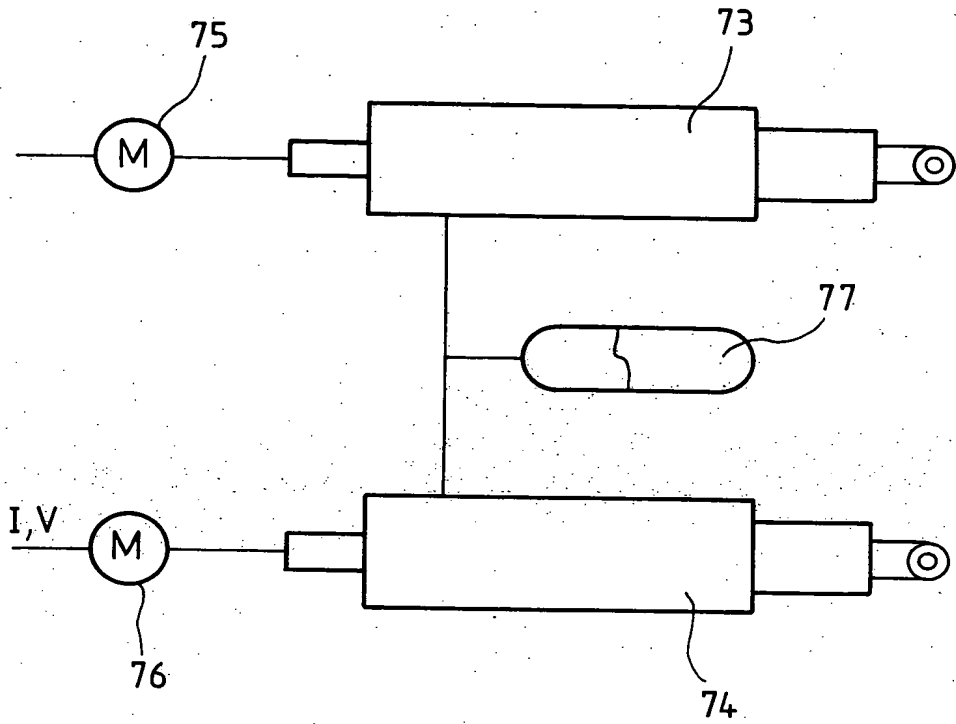
FIG_2



FIG_3



FIG_4



2025 RELEASE UNDER E.O. 14176